

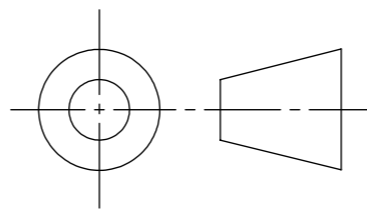
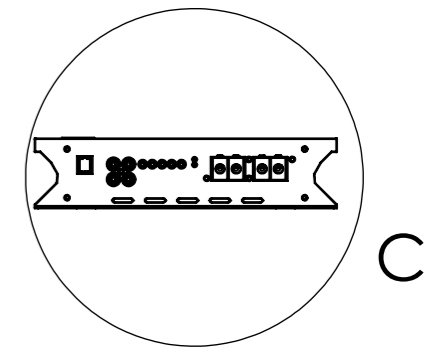
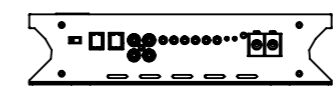
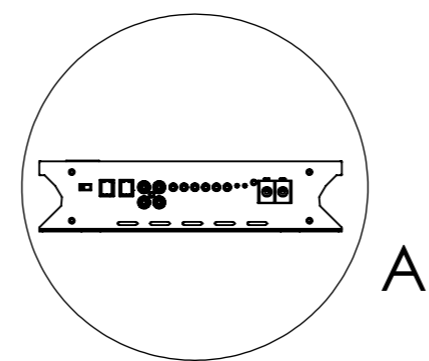
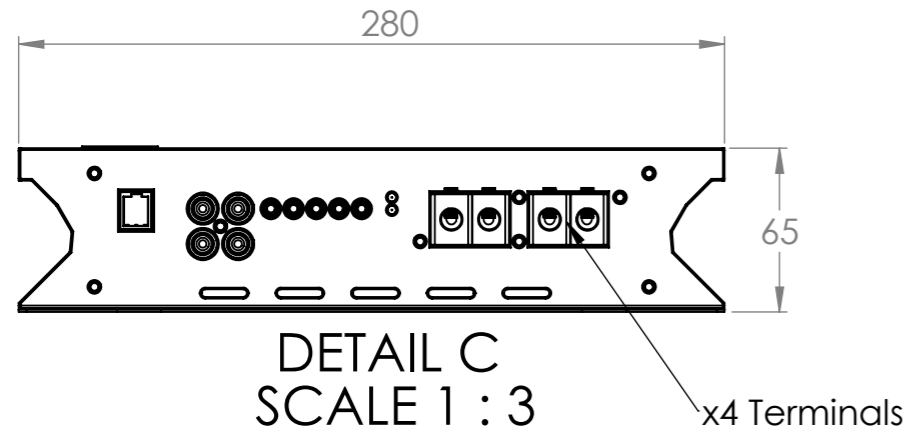
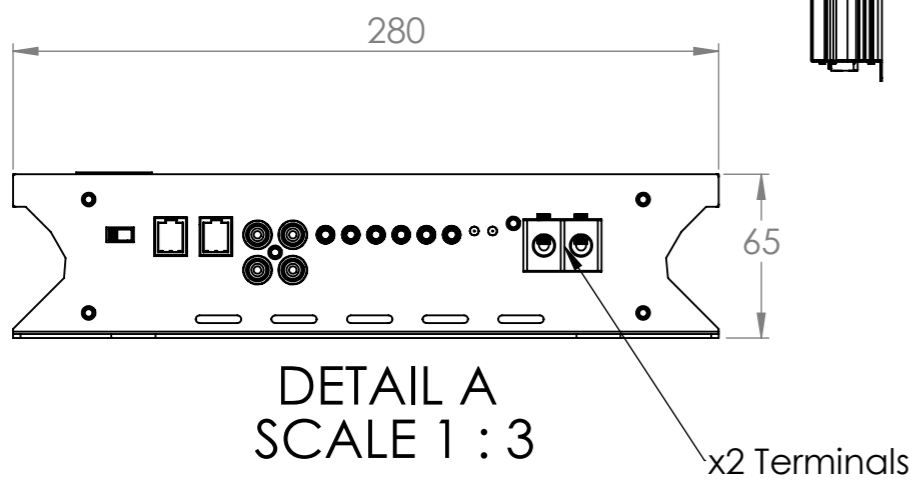
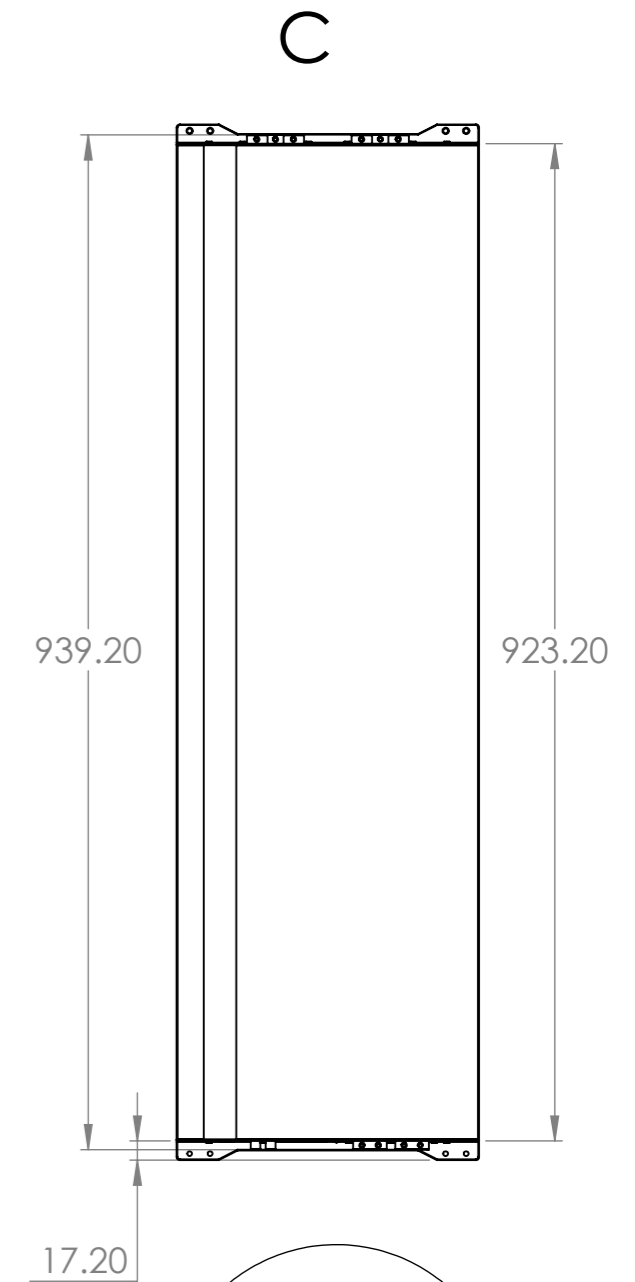
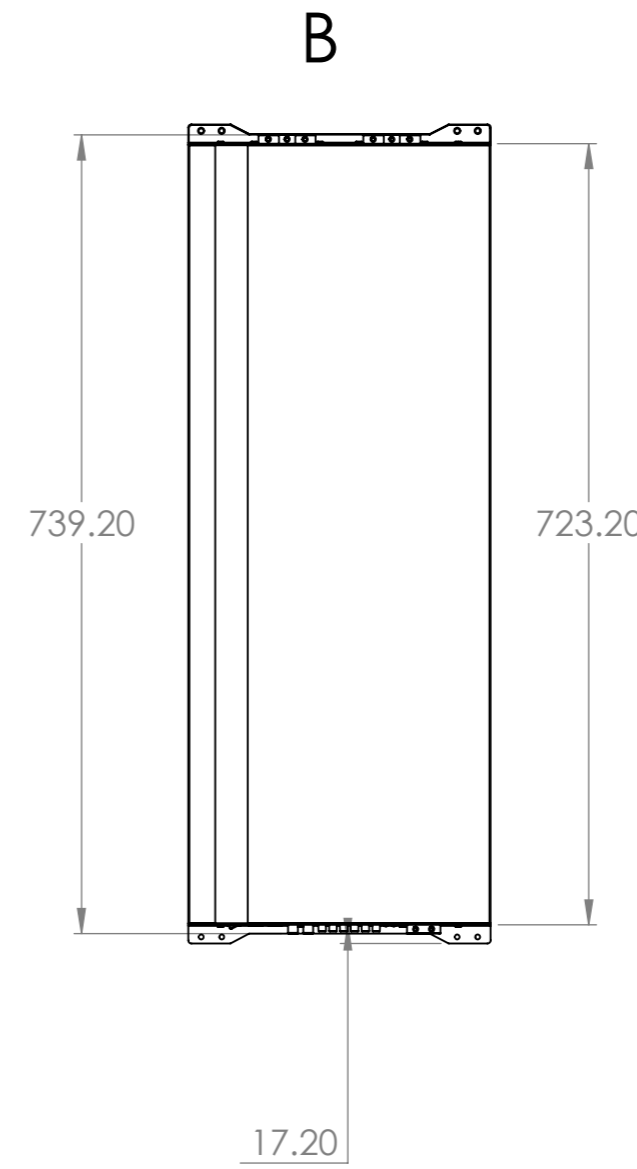
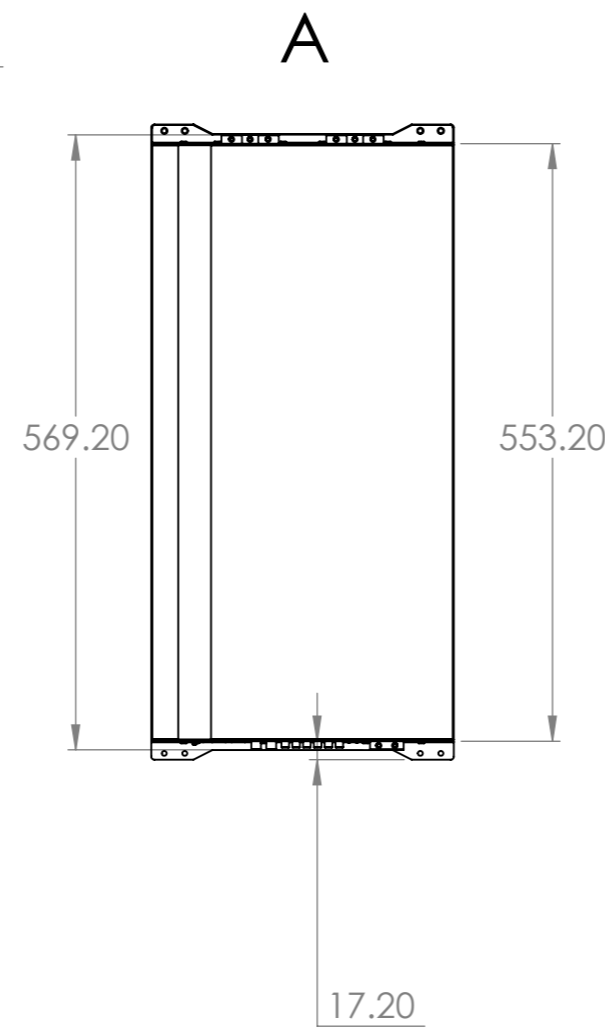
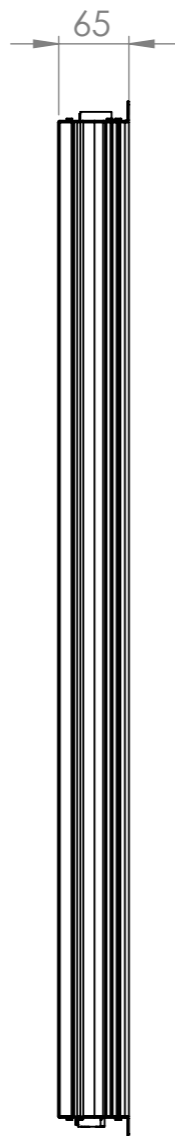
BONE CRUSHER

- A: Velox M3100
- B: Dominion M5150
- C: Monolithus M9750

All 3 Amplifiers have the same cross-section

A & B both have the same terminal layouts

C has an Additional 2 terminals highlighted in 'Detail C'



UNLESS OTHERWISE SPECIFIED: DIMENSIONS ARE IN MILLIMETERS SURFACE FINISH: Satin TOLERANCES: +/- 0.2mm LINEAR: ANGULAR:				FINISH: Misc		DEBUR AND BREAK SHARP EDGES		DO NOT SCALE DRAWING		REVISION	
								TDJ Australia Pty. Ltd			
								TITLE: Bonecrusher - 3K, 5K & 10K Amplifier Range			
DRAWN Lloyd Lamberty				SIGNATURE		DATE 14/04/2014		DWG NO. 01		A3	
CHK'D				APPV'D		MFG		Q.A		MATERIAL: Misc	
								SCALE:1:10		SHEET 1 OF 1	